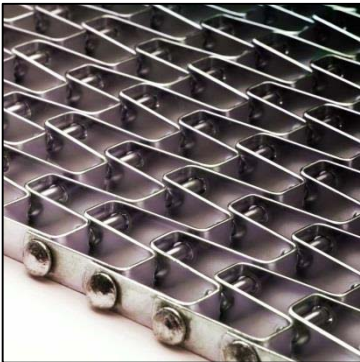


Honeycomb Belt

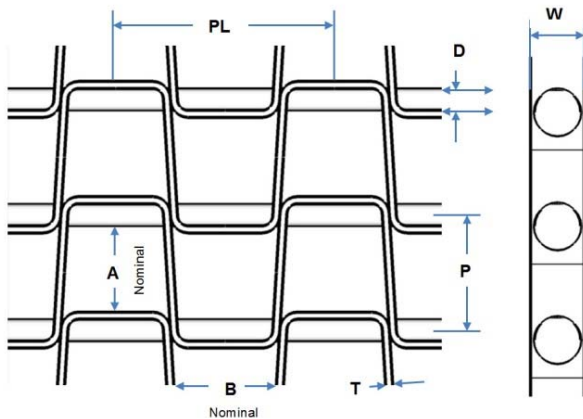
Product Description

Honeycomb belting also known as Flat Wire belt is constructed of formed flat strip connected by straight cross rods. The belt is straight running, available in various pitches and positively driven.

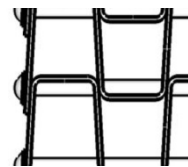


Standard Range						
Belt Reference	Nominal Dimensions Inches – (mm) A x B x W x T/D	Longitudinal Pitch P	Lateral Pitch PL	Strip Width W	Strip Thickness T	Cross Rod Diameter D
1081A	1/2 x 1/2 x 3/8 x 18/11 (12.7x12.7x9.52x1.2/3.0)	0.506 (12.85)	1.14 (28.95)	3/8 (9.52)	18swg (1.2)	11swg (3.0)
1081B	1/2 x 1/2 x 3/8 x 18/11 (12.7x12.7x9.52x1.2/3.0)	0.540 (13.72)	1.14 (28.95)	3/8 (9.52)	18swg (1.2)	11swg (3.0)
1082A	1 x 1/2 x 3/8 x 18/11 (25.4 x 12.7 x 9.52 x 1.2/3.0)	1.125 (28.58)	1.218 (30.91)	3/8 (9.52)	18swg (1.2)	11swg (3.0)
1082B	1 x 1/2 x 3/8 x 18/11 (25.4 x 12.7 x 9.52 x 1.2/3.0)	1.084 (27.53)	1.198 (30.43)	3/8 (9.52)	18swg (1.2)	11swg (3.0)
1082C	1 x 1/2 x 3/8 x 18/11 (25.4 x 12.7 x 9.52 x 1.2/3.0)	1.062 (26.97)	1.198 (30.43)	3/8 (9.52)	18swg (1.2)	11swg (3.0)
1083	1 x 1 x 3/8 x 18/11 (25.4 x 25.4 x 9.52 x 1.2/3.0)	1.125 (28.58)	2.62 (52.37)	3/8 (9.52)	18swg (1.2)	11swg (3.0)
1084A	1 x 1/2 x 1/2 x 16/6 (25.4 x 12.7 x 12.7 x 1.63/4.88)	1.062 (26.97)	1.4 (35.56)	1/2 (12.7)	16swg (1.63)	6swg (4.88)
1084B	1 x 1 x 1/2 x 16/6 (25.4 x 25.4 x 12.7 x 1.63/4.88)	1.062 (26.97)	2.0 (50.8)	1/2 (12.7)	16swg (1.63)	6swg (4.88)
1085	1 x 1 x 5/8 x 16/6 (25.4 x 25.4 x 15.87 x 1.63/4.88)	1.125 (28.58)	2.0 (50.8)	5/8 (15.87)	16swg (1.63)	6swg (4.88)
1086	1.5 x 1.5 x 5/8 x 16/6 (38.1 x 38.1 x 15.87 x 1.63/4.88)	1.5 (38.1)	3.0 (76.2)	5/8 (15.87)	16swg (1.63)	6swg (4.88)
1088	2 x 2 x 5/8 x 16/6 (50.8 x 50.8 x 15.87 x 1.63/4.88)	2.0 (50.8)	4.0 (101.6)	5/8 (15.87)	16swg (1.63)	6swg (4.88)
1090	3 x 3 x 5/8 x 16/6 (76.2 x 76.2 x 15.87 x 1.63/4.88)	3.0 (76.2)	6.0 (152.4)	5/8 (15.87)	16swg (1.63)	6swg (4.88)

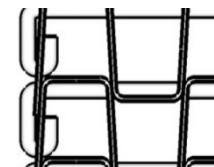
Information required to quote



Edge Finish



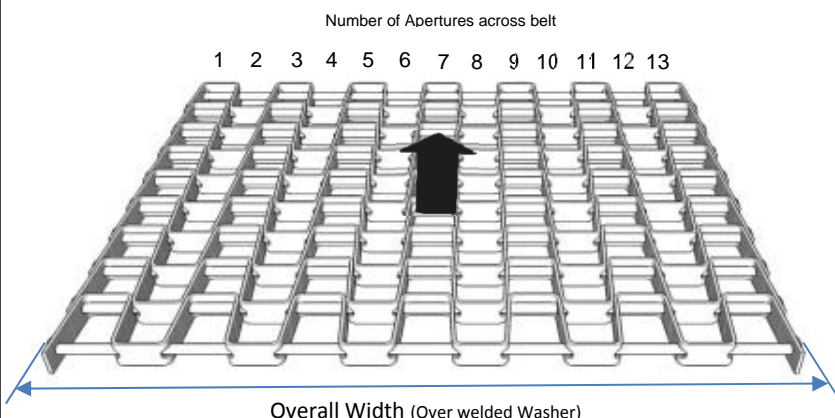
Welded Washer



Clenched

(Not available on all specifications)

To get more accurate measurements for dimensions 'P' measure over 10 pitches then divide by 10 this will give you the average



'P'	Longitudinal Pitch	
'PL'	Lateral Pitch	
Strip	'W' Width	
	'T' Thickness	
'D'	Rod Diameter	
Material		
Length	Total Length of Belt	
Width	Overall width of Belt	
Apertures	Number across belt	
Selvage	Edge Finish	